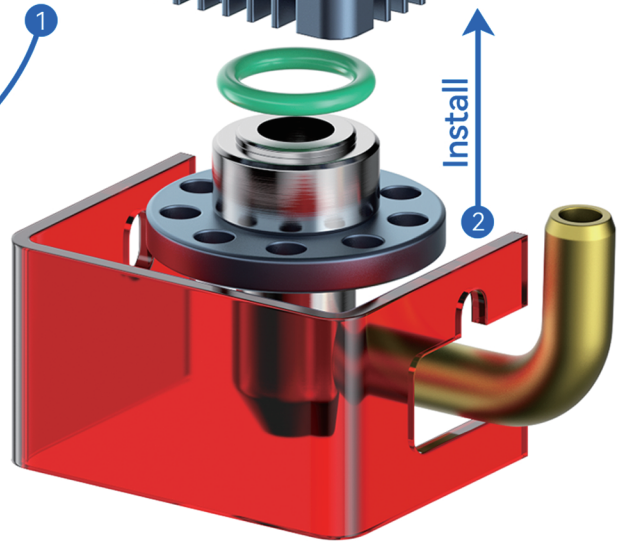


SCULPFUN S9 AIR ASSIST

Installation Instructions



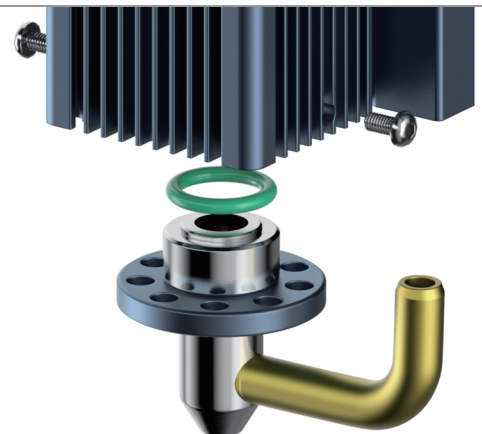
1 Remove



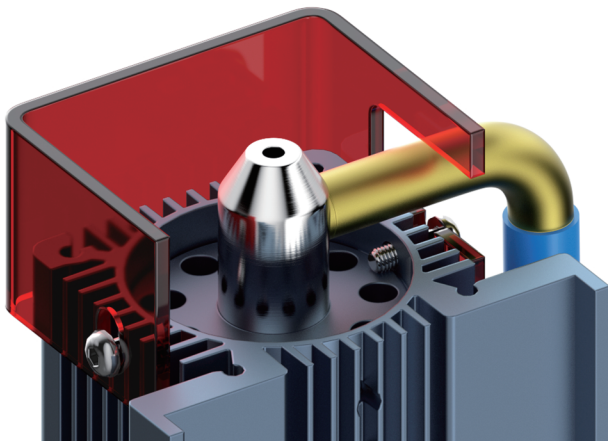
2 Install



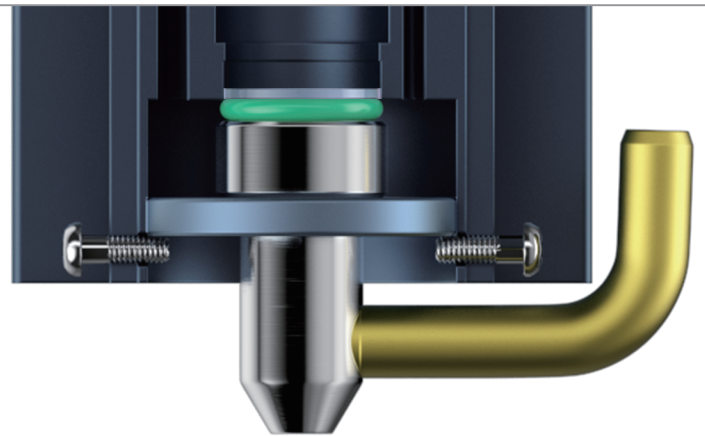
Remove the screws to disassemble the original S9 laser



Put the sealing ring on the nozzle and plug it into the S9 laser. Note: keep nozzle upside, otherwise the sealing ring will slide off.



Flip the laser over and press the nozzle hard, make it sink. Assemble the red acrylic shell, tighten the screws. (You can also choose not to assemble acrylic)



After installation, it looks like this.

SCULPFUN Air Pump User Manual

8mm Outer diameter Air Nozzle



Speed Control Device

Specification:

Volt: US version:110-120V
EU version:220-240V

(Please use the version that matches
the local voltage)

Power:20W

Air Capacity: 30L/min

Pressure:≥0.03Mpa

Outer diameter of guide nozzle: 8mm

Scan the QR code
to get the YouTube
installation video.

